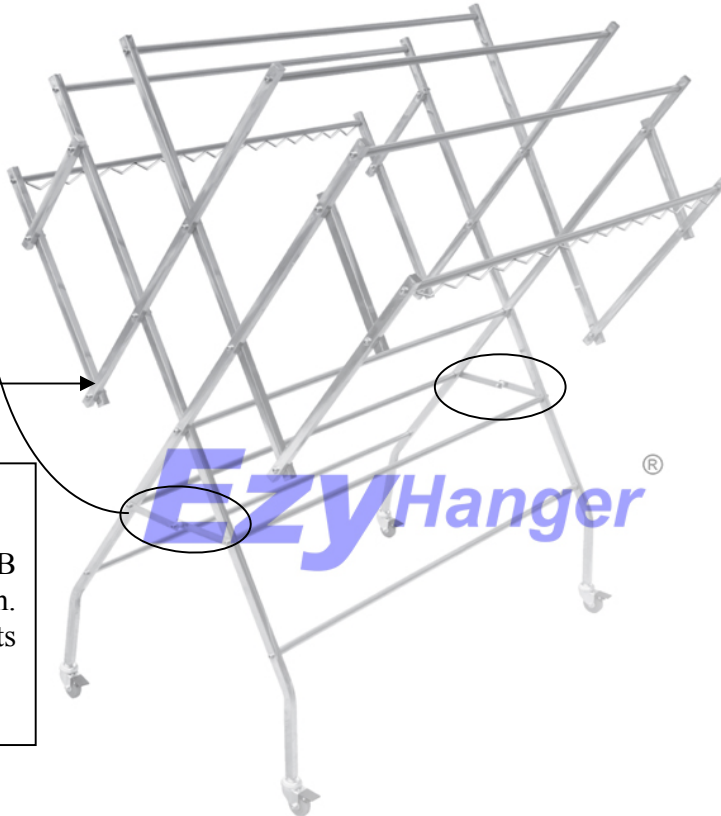


EzyHanger®

Model Number: EH 3100

Instructions



Step 1.

Install stabilizer first.

Pre Installed Square Side Support

Step 2.

Attach all rods A and B as shown in diagram. Do not tighten the nuts fully yet.

Step 3. (For EH3100A only)

Attach the lower shoe rack as shown (For Model EH3100A Only) You can easily insert them in if all rods are not fully tightened yet.

Step 5.

Tighten all nuts and the EzyHanger EH3100 is ready for use.

Step 4.

Attach all four wheels

EzyHanger®

EzyHanger is a trademark and the EzyHanger logo is a registered trademark of WNW One Sdn Bhd. All Rights Reserved.

Website: www.wnwone.com.my

FB: [wnwone](#)

IG: [wnwone](#)